

CAMKIOSK® SYSTEM (HAND SINK CART AND WORK STATION)

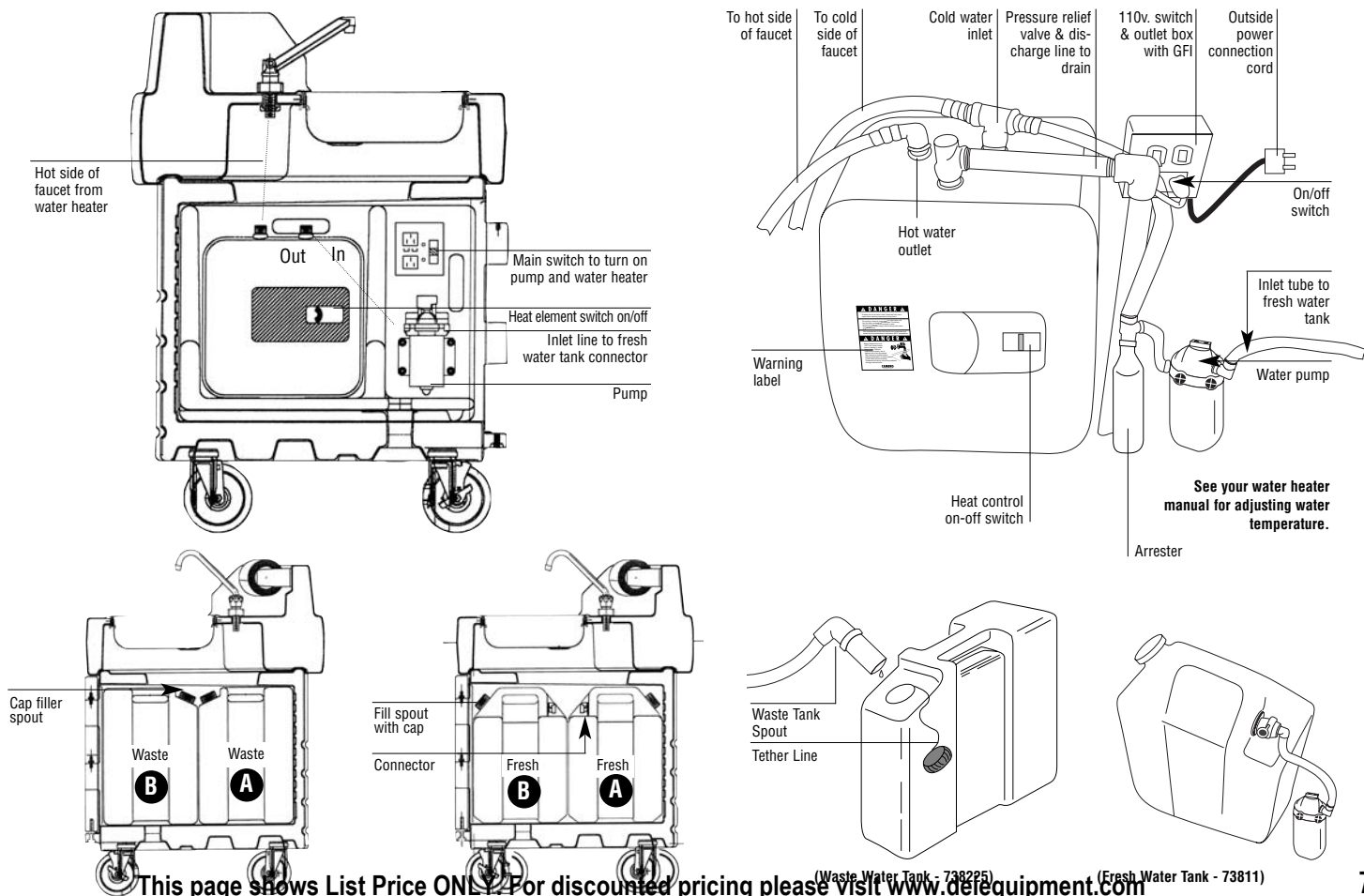
TOLL-FREE ORDERING (866) 482-8919



CODE	C.G.	PART FITS THIS PRODUCT	DESCRIPTION	LIST PRICE
Casters				
60032		KSC402 KWS40	1-Left Side Caster 6" Rigid Type, 4-Bolts (60300)	\$ 34.75
60033		KSC402 KWS40	1-Right Side Caster 6" Swivel w/Brake, 4-Bolts (60300)	42.15
44018		KSC402 KWS40	1-Impact Plate	5.50
Doors				
60195		KSC402 KWS40	1-Latch Strike Plate, 4-Screws (60131), 4-Star Washers (60340)	2.00
46038		KSC402 KWS40	1-Three Lobe Knob, 1-Sink Top Stud	3.80
7375	1	KSC402 KWS40	Left Door w/Hardware 1-Left Door, 2-Pivot Pin (42128B), 1-3" Hinge Pin (42238), 1-Pin Lock Clip (42133), 1-Latch Hook (60196), 2-Star Washers (60339), 2-Screws (60321)	179.00
7376	1	KSC402 KWS40	Right Door w/Hardware 1-Right Door, 2-Pivot Pin (42128B), 1-3" Hinge Pin (42238), 1-Pin Lock Clip (42133), 1-Latch Hook (60196), 2-Star Washers (60339), 2-Screws (60321)	179.00
60196		KSC402 KWS40	1-Latch Hook, 2-Screws (60321), 2-Star Washers (60339)	5.25
42128B		KSC402 KWS40	1-Aluminum Hinge Pivot Pin	4.95
42238		KSC402 KWS40	1- 3" Hinge Pin	5.25
42133		KSC402 KWS40	1-Pin Lock Clip	1.00
Faucet				
47500		KSC402	1-Chrome Faucet	230.00
47537		KSC402	1-Chrome Faucet ADA Type	356.00
Gaskets				
12131		KSC402	1-Gasket for Cap Assembly	1.75
Sink				
47501		KSC402	1-Stainless Steel Sink 2 Compartment	297.00
47502		KSC402	1-Drain Basket w/Strainer	12.50
47400		KSC402	1-Center Outlet Assembly	12.40
47180		KSC402	1-2" O.D. Worm Type Hose Clamp	6.00
47503		KSC402	1-Drain, 1-Waste Arm Slip Joint	8.00
47504		KSC402	1-36" Drain Flex/Straight Hose Line (Waste Water)	5.50
Soap Dispenser				
60214		KSC402	1-Soap Dispenser, 3-Screws (60323)	37.60
Tanks				
46036		KSC402	1-Quick Connect Female Coupling (fresh water tank only)	71.35
47412		KSC402	1-Siphon Tube 3/8" Polytube 24" long (fresh water tank only)	1.20
60197		KSC402	Cap Kit (both fresh & waste tanks): 1-2" Threaded Cap, 1-Tether Line (47286), 1-Strap Adapter, 1-White Gasket (12131)	9.05
73811		KSC402	1-Fresh Water Tank	152.00
738225		KSC402	1-Waste Water Tank	85.00
Towel Holder				
47505		KSC402 KWS40	1-Towel Saver Paper Towel Holder	33.05
Water Heater Rack Assembly				
60190		KSC402	Water Heater Kit (110V)	493.00
60193		KSC402	1-Pressure Valve, 1-Three Piece Blow Tube	33.55
60191		KSC402	110V Water Pump Kit	357.00
47409		KSC402	1- 1/2" Pipe Threads Street Elbow 90° (Bronze Fitting)	5.40
60192		KSC402	1-Electrical Switch/Outlet Box 110V, 4-Pan Head Screws (60323)	179.00
47405		KSC402	1-30" Braided Water Connector	9.50
47406		KSC402	1-12" Braided Water Connector	8.80
60218		KSC402	Hammer Arrester Pressure Chamber Kit: 1-Hammer Arrester Unit, 2-Pipe Nipples (47416), 1-Pipe Tee Fitting (47408), 2-Braided Water Lines (47406), 1-Mount Clip, 1-Pan Head Screw	139.00
60225		KSC402	1-Water Supply Hose, 1-Male Quick Disconnect Fitting w/Hose Clamp	41.60

CAMKIOSK® SYSTEM (HAND SINK CART AND WORK STATION) CONTINUED

CODE	C.G.	PART FITS THIS PRODUCT	DESCRIPTION	LIST PRICE
Water Heater Rack Assembly Continued				
47408		KSC402	1-Tee Quest	\$ 5.60
47416		KSC402	1-Pipe Nipple	7.40
47417		KSC402	1-Hammer Arrester	74.75
60194		KSC402	1-Pipe Fitting Kit	34.90
46037		KSC402	1-Quick-Connect Male 90° (for tank to pump line)	32.35
47295		KSC402	1-Wire Tie or Strap	1.00
47286		KSC402220	1 Sink Tether Line for Cap Assembly	1.00
Well Cover				
7385	1	KWS40	1-Sink Well Plug Section (work deck)	375.00
45311		KWS40	1-Clamping Disc. (Plastic)	2.25
S06006		KSC402	1-Knob / Bolt	5.75
Special Order - International or Overseas Model				
60209		KSC402220	220V Water Heater Kit: 1- Water Heater, 2-Hex Bolts (60320), 2-Flat Washers S.A.E. (60336), 2-Nuts (60345)	516.00
60210		KSC402220 (Units Before 01/02)	220V Water Pump Kit : 1-Water Pump 220v. SHURFLO, 4-Hex Bolts (60320), 4-Flat Washers S.A.E. (60336)	347.00
60291		KSC402220 (Units After 01/02)	220V Water Pump Kit: 1-Water Pump 220v. FLOJET, 4-Hex Bolts (60320), 4-Flat Washers S.A.E. (60336)	482.00
60211		KSC402220	220V Electrical Switch Box Kit: 4-Pan Head Screws, 1-Power Cord w/Sealed Plug (47518), 1-Switch Box (47519), 1-Switch Box Cover (47520), 1-Off/On Switch 220V (47521), 1-Straight Strain Relief (47522), 1-90° Strain Relief (47523)	375.00
47530		KSC402220	1-220V Indicator Light	18.30
47521		KSC402220	1-Switch 220V w/ Indicator Light	86.20
47517		KSC402220	1-220V PRCD Trip Switch - G.F.I.	145.00
47410		KSC402220	1-90° Male Elbow for FloJet Pump only 220V	4.75
60266		KSC402220	1-Switch Box, 1-Flip Cover, 1-Gasket, 8-Screws, 1-Switch Plate, 1-Switch 220V On/Off (47521)	92.30
47518		KSC402220	1 Power Cord for 220V w/ CEE7 Euro Plug	72.00
47519		KSC402220	1 J-Box Switch for 220V	29.50
47520		KSC402220	1 Switch Box Flip Cover for 220V	102.00
47522		KSC402220	1 Sink Strain Relief for 220V	20.55
47523		KSC402220	1 Sink Strain Relief 90 for 220V	33.80
47543		KSC402220	1-Switch Plate (for inside J-Box & Flip Cover)	15.00



COLOR REFERENCE MARKS-

Some replacement parts must be ordered by color, for example, doors. The Color Group (C.G.) numbers listed next to select replacement parts in this catalog, refer to the general color group number listed on the left side of the chart below. You must then select the exact color code from that group for the part you are ordering.

COLOR GROUP (C.G.)	PRODUCT CATEGORY	COLOR CODES FOR PRODUCT CATEGORY
1	CamKiosk, Bridge, Hand Sink Cart	Hot Red-4, Navy Blue-8, Black-9, Gray-14, Granite Gray-20, Granite Green-21, Granite Red-22*, Granite Sand-23*
2	Camcruiser	Hot Red-4, Navy Blue-8, Black-9, Dark Green-15, Granite Gray-20, Granite Green-21, Granite Red-22*, Granite Sand-23*
3	BAR650, BAR730 Tank	White-148
4	Buffet Bar	Dark Brown-0*, Hot Red-4, Cold Blue-5*, Navy Blue-8, Black-9, Slate Blue-11, Brick Red-12*, Gray-14*, Dark Green-15, Granite Gray-20, Granite Green-21, Granite Red-22*, Granite Sand-23*
5	Food Bar	Dark Brown-0*, Coffee Beige-3*, Hot Red-4*, Cold Blue-5*, Navy Blue-8, Black-9, Slate Blue-11, Brick Red-12*, Gray-14*, Dark Green-15, Granite Gray-20, Granite Green-21, Granite Red-22*, Granite Sand-23*
6	Camserver	Black-9, Dark Taupe-18, Granite Gray-20, Granite Sand-23*
7	Camtainer	Dark Brown-0, Coffee Beige-3*, Hot Red-4*, Cold Blue-5*, Navy Blue-8, Black-9, Slate Blue-11, Brick Red-12*, Dark Green-15, Granite Gray-20*
8	Ultra Camtainer	Dark Brown-0, Coffee Beige-3, Cold Blue-5*, Navy Blue-8, Black-9, Slate Blue-11, Brick Red-12, Dark Green-15, Granite Gray-20, Granite Green-21, Granite Red-22*, Granite Sand-23
9	Combo Cart	Dark Brown-0, Gray-14
10	Camcarrier/Pan Carrier	Dark Brown-0, Coffee Beige-3, Hot Red-4, Navy Blue-8, Black-9, Slate Blue-11, Brick Red-12, Dark Green-15, Dark Taupe-18
11	Camcarrier/Pan Carrier (100-300MPC, 1318MTC)	Dark Brown-0, Coffee Beige-3, Hot Red-4, Cold Blue-5, Navy Blue-8, Black-9, Slate Blue-11, Brick Red-12 Dark Green-15
12	Camcarrier/Pan Carrier (1826 Tall Series)	Dark Brown-0, Coffee Beige-3, Slate Blue-11, Brick Red-12 Gray-14
13	Camcarrier/Pan Carrier (1826 Low Series)	Dark Brown-0, Coffee Beige-3, Hot Red-4, Cold Blue-5*, Navy Blue-8, Slate Blue-11, Brick Red-12, Gray-14, Dark Green-15
14	Camcarrier/Pan Carrier (UPC400)	Dark Brown-0, Coffee Beige-3 Hot Red-4, Navy Blue-8, Black-9, Slate Blue-11, Brick Red-12 Dark Green-15, Granite Gray-20, Granite Green-21, Granite Red-22, Granite Sand-23
15	Camcarrier/Pan Carrier (UPC600-1600)	Dark Brown-0, Coffee Beige-3, Hot Red-4, Navy Blue-8, Black-9, Slate Blue-11
16	Camtherm Cabinet	Army Green-403, Granite Gray-20, Granite Green-21, Granite Sand-23*
17	Service Cart	Dark Brown-0*, Coffee Beige-3*, Slate Blue-11, Brick Red-12*, Granite Gray-20, Granite Green-21, Granite Red-22*, Granite Sand-23*
18	Equipment Stand	Dark Brown-0*, Coffee Beige-3*, Hot Red-4, Cold Blue-5*, Black-9, Slate Blue-11, Brick Red-12*, Gray-14*, Granite Gray-20, Granite Green-21
19	Dish Caddy/Cart	Dark Brown-0, Coffee Beige-3, Slate Blue-11, Brick Red-12*, Gray-14, Granite Gray-20, Granite Green-21, Granite Red-22*, Granite Sand-23*
20	BAR540	Standard Series: Dark Brown-0, Coffee Beige-3, Black-9, Slate Blue-11 Gray-14, Granite Gray-20, Granite Sand-23. Designer Series: Black-9, Granite Gray-20, Granite Sand-23
21	BAR650, BAR730	Standard Series: Dark Brown-0, Coffee Beige-3 Granite Gray-20, Granite Sand-23 Designer Series: Black-9, Granite Sand-23
22	Ice Caddy	Dark Brown-0, Coffee Beige-3, Cold Blue-5*, Navy Blue-8, Black-9, Slate Blue-11, Gray-14, Granite Gray-20, Granite Green-21, Granite Sand-23*
23	Camchiller Cart	Dark Brown-0*, Coffee Beige-3*, Hot Red-4*, Cold Blue-5*, Navy Blue-8, Black-9, Slate Blue-11, Brick Red-12*, Gray-14*, Granite Gray-20, Granite Green-21*, Granite Red-22*, Granite Sand-23*
24	Meal Delivery Cart	Dark Brown-0*, Coffee Beige-3*, Slate Blue-11, Brick Red-12*, Gray-14, Granite Gray-20, Granite Green-21, Granite Red-22*, Granite Sand-23
25	Meal Delivery Cart	Dark Brown-0*, Coffee Beige-3*, Slate Blue-11, Gray-14, Granite Gray-20, Granite Green-21, Granite Red-22*, Granite Sand-23
26	Covered Pitcher, Ingredient Bins/ Camcrisper	Clear-135
27	Thermal Server	Dark Brown-0, Beige-2, Orange-7*, Black-9
28	Camshelving US	Speckled Gray-480
29	Camshelving Metric	Speckled White-490
30	Heatkeepers	Slate Blue-11, Navy Blue-8, Dark Brown-0
31	UPCS400	Dark Brown-0, Slate Blue-11, Speckled Gray-480

*Replacement parts in this color will be available until 12/31/2011.

To purchase parts online please visit www.deiequipment.com and enter the part number on the search box of our website.