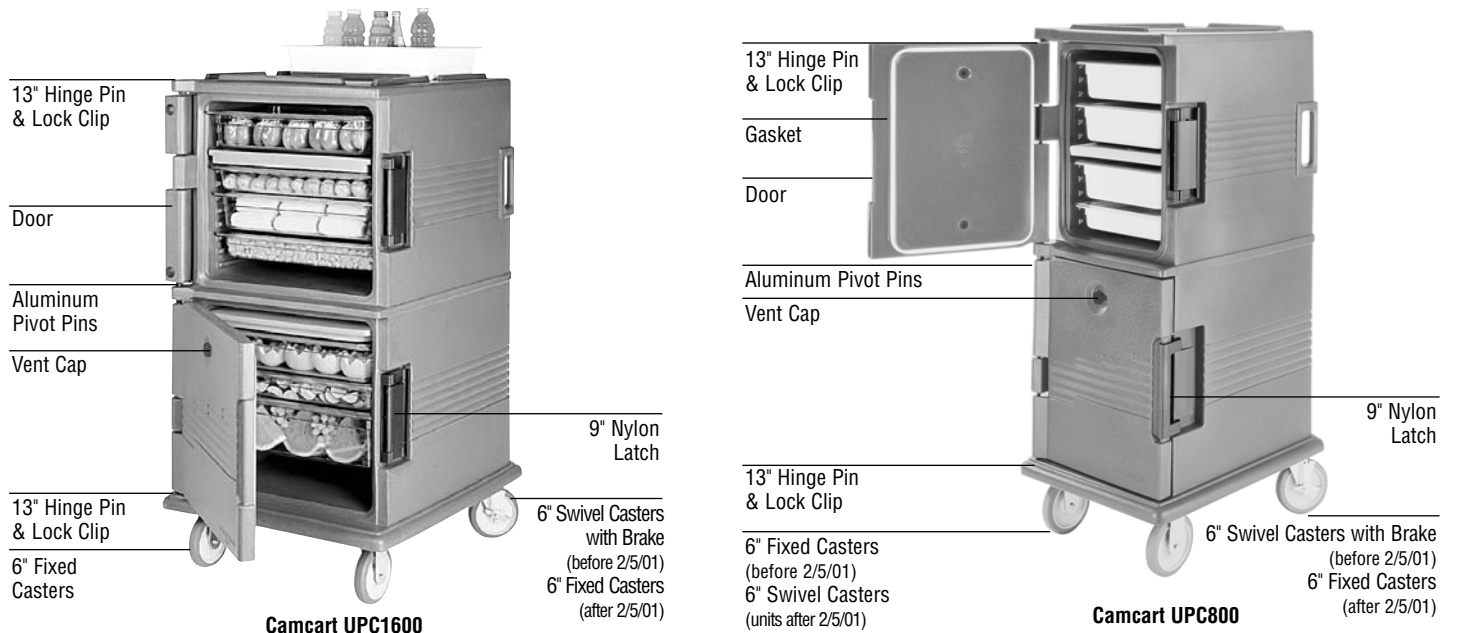
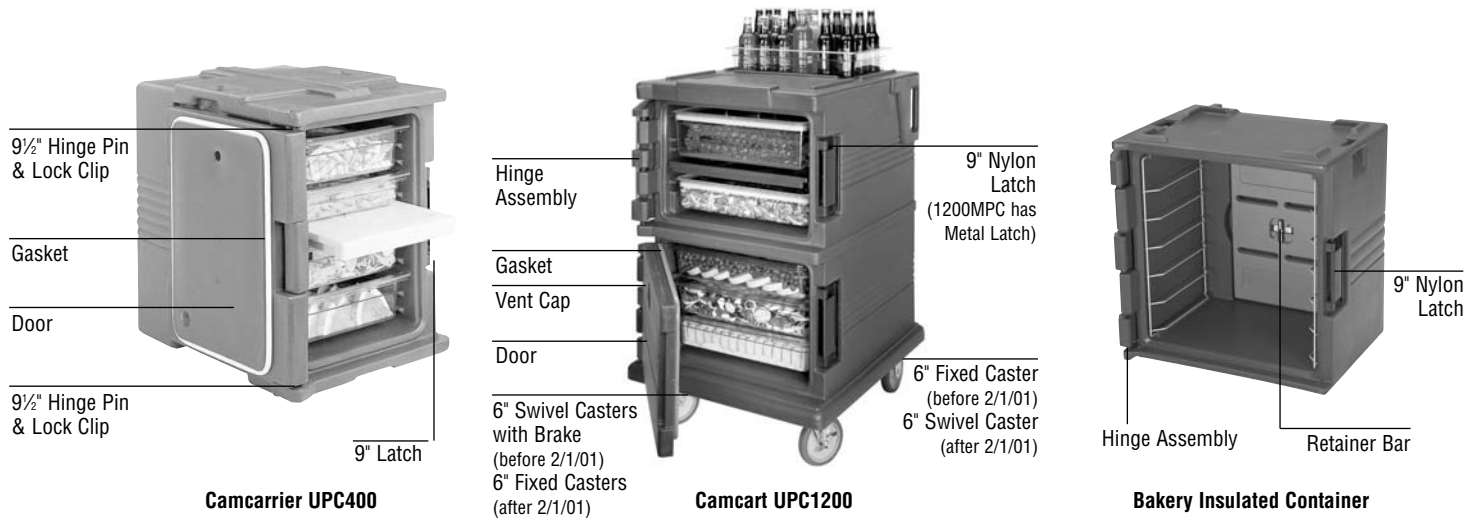
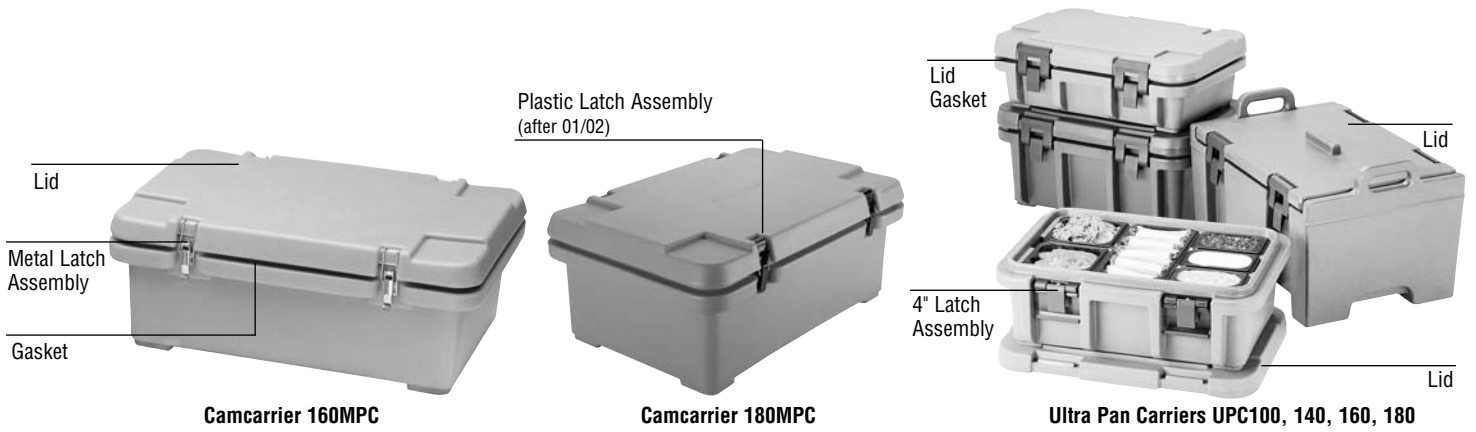


CAMCARRIERS®, ULTRA PAN CARRIERS®, CAMCARTS®, BAKERY CONTAINER AND HEAT KEEPERS



CAMCARRIERS®, ULTRA PAN CARRIERS®, CAMCARTS®, BAKERY CONTAINER AND HEAT KEEPERS

| CODE | C.G. | PART FITS THIS PRODUCT | DESCRIPTION | LIST PRICE |
|---------------------------|------|--|---|------------|
| Casters | | | | |
| 60006 | | UPCW400, UPC600 | 1-5" Fixed Caster, 4-Bolts (60300) | \$ 25.05 |
| 60007 | | UPC600, UPCW400, UPCW4004S | 1-5" Swivel Caster w/Brake, 4-Bolts (60300) | 33.30 |
| 60008 | | UPC600, UPCW400, UPCW4004S | 1-5" Swivel Caster, 4-Bolts (60300) | 28.25 |
| 60032 | | UPC800, UPC1200, UPC1600, 1826 Box & Tray Carts, All 1826 w/Security Package | 1-6" Fixed Caster, 4-Bolts (60300) | 34.75 |
| 60033 | | UPC800, UPC1200, UPC1600, 1826 Box & Tray Carts, All 1826 w/Security Package | 1-6" Swivel Caster w/Brake, 4-Bolts (60300) | 42.15 |
| 60034 | | UPC800, UPC1200, UPC1600, 1826 Box & Tray Carts, All 1826 w/Security Package | 1-6" Swivel Caster, 4-Bolts (60300) | 36.55 |
| 44018 | | UPC800, UPC1200, UPC600, UPC1600, 1826 Box & Tray Carts, All 1826 w/Security Package | 1" Caster Impact Plate for 5" and 6" casters | 5.50 |
| H06006 | | UPCS400 | 1-5" Swivel Caster Kit | 25.90 |
| H06007 | | UPCS400 | 1-5" Swivel Caster w/ Brake Kit | 29.80 |
| H06008 | | UPCS400 | 1-5" Fixed Caster Kit | 24.05 |
| Chassis Plate Kits | | | | |
| 60226 | | UPC1600TR, UPC1200TR | 1-Chassis Plate, 8-Screws per Plate | 102.00 |
| 60227 | | UPC800TR, UPC600TR | 1-Chassis Plate, 8-Screws per Plate | 102.00 |
| Cutting Board | | | | |
| 47103 | | 1826LTC, 1826LBC, 1826LTC3, 1826LBCSP, 1826LTCSP | 1-Cutting Board | 87.90 |
| Doors | | | | |
| 6330 | 30 | HK93PMC | 1-Standard Door, 1-Gasket, 1-Vent Cap | 100.00 |
| 6341 | 11 | 200MPC | 1-Standard Door, 1-Gasket, 1-Vent Cap | 116.00 |
| 6318 | 11 | 150MPC, 300MPC, 1318MTC | 1-Standard Door, 1-Gasket, 1-Vent Cap | 101.00 |
| 7335 | 14 | UPC400 | 1-Standard Door, 2-Pins, 2-Clips, 2-Bushings, 1-Gasket, 1-Vent Cap | 113.00 |
| C06002 | 31 | UPCS400 | 1-Standard Door, 1-Menu Clip | 81.00 |
| 7601 | 15 | UPC600 | 1-Standard Door, 3-Pivot Pins, 1-Gasket, 1-Vent Cap | 93.75 |
| 7341 | 15 | UPC800 | 1-Top Standard Door, 1-13" Hinge Pin, 1-Pin, 1-Clip, 1-Bushing, 1-Gasket, 1-Vent Cap | 192.00 |
| 7342 | 15 | UPC800 | 1-Bottom Standard Door, 1-13" Hinge Pin, 1-Pin, 1-Clip, 1-Bushing, 1-Gasket, 1-Vent Cap | 192.00 |
| 7604 | 15 | UPC1200 | 1-Standard Door, 3-Pivot Pins, 1-Gasket, 1-Vent Cap | 146.00 |
| 7348 | 15 | UPC1600 | 1-Top Standard Door, 1-13" Hinge Pin, 1-Pin, 1-Clip, 1-Bushing, 1-Gasket, 1-Vent Cap | 197.00 |
| 7349 | 15 | UPC1600 | 1-Bottom Standard Door, 1-13" Hinge Pin, 1-Pin, 1-Clip, 1-Bushing, 1-Gasket, 1-Vent Cap | 197.00 |
| 6929 | 12 | 1826DBC | 1-Top Standard Door, 1-Gasket, 1-Vent Cap | 143.00 |
| 6930 | 12 | 1826DBC | 1-Bottom Standard Door, Gasket, Vent Cap | 143.00 |
| 6672 | 12 | 1826DTC | 1-Top Standard Door, 1-Gasket, 1-Vent Cap | 176.00 |
| 6673 | 12 | 1826DTC | 1-Bottom Standard Door, 1-Gasket, 1-Vent Cap | 186.00 |
| 6348 | 13 | 1826LBC, 1826LTC, 1826LTC3 | 1-Standard Door, 1-Gasket, 1-Vent Cap | 175.00 |
| 6971 | 13 | 1826MTC | 1-Standard Door, 1-Gasket, 1-Vent Cap | 183.00 |
| 6692 | 12 | 1826DBCSP | 1-Top Standard Door, 1-Gasket, 1-Vent Cap | 210.00 |
| 6693 | 12 | 1826DBCSP | 1-Bottom Standard Door, 1-Gasket, 1-Vent Cap | 210.00 |
| 6694 | 12 | 1826DTCSP | 1-Top Standard Door, 1-Gasket, 1-Vent Cap | 210.00 |
| 6695 | 12 | 1826DTCSP | 1-Bottom Standard Door, 1-Gasket, 1-Vent Cap | 210.00 |
| 6696 | 13 | 1826LBCSP, 1826LTCSP | 1-Standard Door, 1-Gasket, 1-Vent Cap | 281.00 |
| 7398 | | BK60406, BK60407 | 1-Standard Door, 1-Gasket, 1-Vent Cap | 125.00 |

CAMCARRIERS®, ULTRA PAN CARRIERS®, CAMCARTS®, BAKERY CONTAINER AND HEAT KEEPERS

| CODE | C.G. | PART FITS THIS PRODUCT | DESCRIPTION | LIST PRICE |
|-------------------------|------|---|--|------------|
| Gaskets | | | | |
| 12101 | | 100MPCHL | 1-Small Gasket for hinged lid | \$ 8.35 |
| 12105 | | HK93PMC | 1-Gasket | 13.70 |
| 12108 | | 100MPC, 100MPCHL, UPC100 | 1-Gasket | 16.35 |
| 12109 | | 125MPC, 140MPC, 160MPC, 180MPC, 200MPC, UPC101, UPC140, UPC160, UPC180 | 1-Gasket | 15.20 |
| 12139 | | UPC1200 | 1-Gasket | 23.75 |
| 12102 | | 150MPC, 300MPC, 1318MTC, UPC600 | 1-Gasket | 11.90 |
| 12111 | | 1826LBC, 1826LTC, 1826LTC3, 1826LBCSP, 1826LTCSP | 1-Gasket | 19.30 |
| 12115 | | 1826DBC, 1826DTC, 1826DBCSP, 1826DTCSP | 1-Gasket | 19.00 |
| 12110 | | 240MPC | 1-Gasket | 10.40 |
| 12119 | | UPC400, UPC800, 1826MTC | 1-Gasket | 13.65 |
| 12132 | | UPC1600 | 1-Gasket | 33.20 |
| 12133 | | BK60406, BK60407 | 1-Gasket | 24.30 |
| Hinges for Doors | | | | |
| 60012 | | 150MPC, 200MPC, 300MPC, HK93PMC, 1318MTC | Hinge Kit: 1-Stainless Hinge, 3-Screws (60311), 3-Screws (60317) | 16.10 |
| 60019 | | 100MPCHL | Hinge Kit: 1-Stainless Hinge, 6-Screws (60311) | 14.20 |
| 42132 | | UPC400 | 1-9 1/2" Nylon Hinge Pin | 3.00 |
| 42133 | | UPC400, UPC800, UPC1600 | 1-Hinge Pin Lock Clip | 1.00 |
| 42136 | | UPC800, UPC1600 | 1-13" Nylon Hinge Pin | 3.00 |
| 42128B | | UPC600, UPC800, UPC1200, UPC1600, BK60406, BK60407, UPCS400 | 1- Aluminum Hinge Pivot Pin (smaller pin) | 4.95 |
| 60048 | | 1826DBC, 1826DTC, 1826LTC, 1826LTC3, 1826MTC, 1826LBC | Hinge Kit: 1-Stainless Hinge, 3-Screws (60317), 3-Screws (60311) | 16.65 |
| Latches | | | | |
| 60212 | | UPC100, UPC101, UPC140, UPC160, UPC180 | Nylon Latch Kit: 1-4" Black Nylon, 4-Screws (60311) | \$ 12.00 |
| 60422 | | UPCS140, UPCS160, UPCS180 (Units Before 12/03) | Nylon Latch Kit: 1-4" Black Nylon, 3-Screws | 18.00 |
| 60423 | | UPCS140, UPCS160, UPCS180 (Units After 12/03) | Nylon Latch Kit: 1-4" Black Nylon, 3-PT Screws | 12.55 |
| 60090 | | All Camcarriers, except Ultra Pan Carriers | Metal Latch Kit: 1-Metal Latch, 1-Small 2 Hole Latch, 2-Screws (60315) | 11.75 |
| 60092 | | All Camcarriers, except Ultra Pan Carriers, 100MPC & 100MPCHL units after 5/1/06. | Metal Latch Kit: 1 Metal Latch, 1-Small 4 Hole Latch, 4-Screws (60315) | 12.55 |

CAMCARRIERS®, ULTRA PAN CARRIERS®, CAMCARTS®, BAKERY CONTAINER AND HEAT KEEPERS

| CODE | C.G. | PART FITS THIS PRODUCT | DESCRIPTION | LIST PRICE |
|---|------|--|---|------------|
| Latches Continued | | | | |
| 60094 | | All Camcarts (Excluding All Security Packages, All UPC Carts, All Ultra Pan Carriers) (Units Before 1/06). If ordered with metal latches (includes 100MPC & 100MPCHL units after 5/1/06) 300MPC, 1318MTC, after 1/06 | Latch Kit: 1-Large Metal 4 Hole Latch, 4-Screws (60315) | \$ 21.15 |
| H05021 | | 300MPC, 1318MTC, 1826MTC, 100MPC, 100MPCHL (Units after 5/1/06) (Units After 1/06) 1826LTC, 1826LTC3, 1826LBC, 1826DTC, 1826DBC (Units After 11/21/05) | 1.6 Plastic Latch Kit: 1-Latch, 4-Screws | 4.25 |
| 60135 | | UPC400, UPC600, UPC800, UPC1200, UPC1600, BK60406, BK60407 | 1-9" Nylon Latch, 5-Screws (60311) (Includes all Celsius and Fahrenheit Models) | 20.00 |
| 60264 | | All Camcarriers, Except 100MPC, 100MPCHL, 1826MTC, All Ultra Carriers (Units After 01/02) | 1-Small Plastic Latch 2 Hole, 2-Screws (60315) | 5.50 |
| H06009 | | UPCS400 | Nylon Latch Kit: 1-9" Nylon Latch, 5-Screws | 17.85 |
| 60280 | | UPCS140, UPCS160, UPCS180 | 1-4" Nylon Latch, 5-Screws (60332) | 18.00 |
| H06012 | | UPC400, UPC600, UPC800 UPC1200, UPC1600 (Std & TRs) All CamKiosk models | Security Lock Hasp Kit: 1-Angled Hasp Plate, 1-Flat Hasp Plate, 9-Spanner Screws, 1-Spanner Drive Bit | 26.00 |
| Lids | | | | |
| 100HL | 11 | 100MPCHL | 1-Hinged Lid, 2-Hinge, 2-Gaskets, 1-Vent Cap | 205.00 |
| 7637 | 14 | 100MPC* | 1-Lid, 1-Gasket, 1-Vent Cap | 91.00 |
| 6339 | 11 | 100MPCHL | 1-Small Lid, 1-Gasket | 83.20 |
| 6340 | 11 | 100MPCHL | 1-Large Lid, 1-Gasket, 1-Vent Cap | 116.00 |
| 6335 | 11 | 125MPC, 140MPC, 160MPC, 180MPC | 1-Lid, 1-Gasket, 1-Vent Cap | 89.35 |
| 6343 | 11 | 240MPC | 1-Lid, 1-Gasket, 1-Vent Cap | 73.50 |
| 6676 | 11 | 2617PMCCP | 1-Lid, 1-Gasket, 1-Vent Cap | 119.00 |
| 7387 | 14 | UPC100 | 1-Lid, 1-Gasket, 1-Vent Cap | 95.00 |
| C06001 | | UPC101 | 1-Lid, 1-Gasket | 108.00 |
| 7391 | 14 | UPC140, UPC160, UPC180 | 1-Lid, 1-Gasket, 1-Vent Cap | 59.80 |
| 7615 | 14 | UPCS140, UPCS160, UPCS180 | 1-Lid, 1-Vent Cap | 48.45 |
| Menu Clip | | | | |
| H06011 | | UPCS400 | Menu Clip Kit | 6.90 |
| Retainer Bar | | | | |
| 60367 | | BK60406, BK60407 | 1-Retainer Bar, 1-Stainless Screw | 47.60 |
| Temperature Gauge | | | | |
| 60202F | | UPC400F, UPC600F, UPC800F, UPC1200F, UPC1600F | Fahrenheit Temperature Gauge Kit: 1-Fahrenheit Thermometer, 4-Screws (60313) | 84.90 |
| 60202C | | UPC400C, UPC600C, UPC800C, UPC1200C, UPC1600C | Centigrade Temperature Gauge Kit: 1-Centigrade Thermometer, 4-Screws (60313) | 84.90 |
| 60203 | | UPC400F, UPC600F, UPC800F, UPC1200F, UPC1600F, UPC400C, UPC600C, UPC800C, UPC1200C, UPC1600C | Two Wire & Probe Clip Kit: 2-Probe Clips, 2-Wire Clamps, 4-Pan Head Screws (60323) | 4.45 |
| Thermometer Gauge available until December 31, 2011 or until supplies are depleted, whichever occurs first. | | | | |
| Vent Caps | | | | |
| 14200 | | All Camcarriers, Camcarts, Ultra Pan Carriers and Bakery Carts | 1-White Vent Cap (models before 1-07) | 1.00 |
| H07001 | | All Camcarriers, Camcarts, Ultra Pan Carriers and Bakery Carts | 1-Black Vent Cap (models after 1-07) | 2.85 |

COLOR REFERENCE MARKS-

Some replacement parts must be ordered by color, for example, doors. The Color Group (C.G.) numbers listed next to select replacement parts in this catalog, refer to the general color group number listed on the left side of the chart below. You must then select the exact color code from that group for the part you are ordering.

| COLOR GROUP (C.G.) | PRODUCT CATEGORY | COLOR CODES FOR PRODUCT CATEGORY |
|--------------------|---|---|
| 1 | CamKiosk, Bridge, Hand Sink Cart | Hot Red-4, Navy Blue-8, Black-9, Gray-14, Granite Gray-20, Granite Green-21, Granite Red-22*, Granite Sand-23* |
| 2 | Camcruiser | Hot Red-4, Navy Blue-8, Black-9, Dark Green-15, Granite Gray-20, Granite Green-21, Granite Red-22*, Granite Sand-23* |
| 3 | BAR650, BAR730 Tank | White-148 |
| 4 | Buffet Bar | Dark Brown-0*, Hot Red-4, Cold Blue-5*, Navy Blue-8, Black-9, Slate Blue-11, Brick Red-12*, Gray-14*, Dark Green-15, Granite Gray-20, Granite Green-21, Granite Red-22*, Granite Sand-23* |
| 5 | Food Bar | Dark Brown-0*, Coffee Beige-3*, Hot Red-4*, Cold Blue-5*, Navy Blue-8, Black-9, Slate Blue-11, Brick Red-12*, Gray-14*, Dark Green-15, Granite Gray-20, Granite Green-21, Granite Red-22*, Granite Sand-23* |
| 6 | Camserver | Black-9, Dark Taupe-18, Granite Gray-20, Granite Sand-23* |
| 7 | Camtainer | Dark Brown-0, Coffee Beige-3*, Hot Red-4*, Cold Blue-5*, Navy Blue-8, Black-9, Slate Blue-11, Brick Red-12*, Dark Green-15, Granite Gray-20* |
| 8 | Ultra Camtainer | Dark Brown-0, Coffee Beige-3, Cold Blue-5*, Navy Blue-8, Black-9, Slate Blue-11, Brick Red-12, Dark Green-15, Granite Gray-20, Granite Green-21, Granite Red-22*, Granite Sand-23 |
| 9 | Combo Cart | Dark Brown-0, Gray-14 |
| 10 | Camcarrier/Pan Carrier | Dark Brown-0, Coffee Beige-3, Hot Red-4, Navy Blue-8, Black-9, Slate Blue-11, Brick Red-12, Dark Green-15, Dark Taupe-18 |
| 11 | Camcarrier/Pan Carrier (100-300MPC, 1318MTC) | Dark Brown-0, Coffee Beige-3, Hot Red-4, Cold Blue-5, Navy Blue-8, Black-9, Slate Blue-11, Brick Red-12 Dark Green-15 |
| 12 | Camcarrier/Pan Carrier (1826 Tall Series) | Dark Brown-0, Coffee Beige-3, Slate Blue-11, Brick Red-12 Gray-14 |
| 13 | Camcarrier/Pan Carrier (1826 Low Series) | Dark Brown-0, Coffee Beige-3, Hot Red-4, Cold Blue-5*, Navy Blue-8, Slate Blue-11, Brick Red-12, Gray-14, Dark Green-15 |
| 14 | Camcarrier/Pan Carrier (UPC400) | Dark Brown-0, Coffee Beige-3 Hot Red-4, Navy Blue-8, Black-9, Slate Blue-11, Brick Red-12 Dark Green-15, Granite Gray-20, Granite Green-21, Granite Red-22, Granite Sand-23 |
| 15 | Camcarrier/Pan Carrier (UPC600-1600) | Dark Brown-0, Coffee Beige-3, Hot Red-4, Navy Blue-8, Black-9, Slate Blue-11 |
| 16 | Camtherm Cabinet | Army Green-403, Granite Gray-20, Granite Green-21, Granite Sand-23* |
| 17 | Service Cart | Dark Brown-0*, Coffee Beige-3*, Slate Blue-11, Brick Red-12*, Granite Gray-20, Granite Green-21, Granite Red-22*, Granite Sand-23* |
| 18 | Equipment Stand | Dark Brown-0*, Coffee Beige-3*, Hot Red-4, Cold Blue-5*, Black-9, Slate Blue-11, Brick Red-12*, Gray-14*, Granite Gray-20, Granite Green-21 |
| 19 | Dish Caddy/Cart | Dark Brown-0, Coffee Beige-3, Slate Blue-11, Brick Red-12*, Gray-14, Granite Gray-20, Granite Green-21, Granite Red-22*, Granite Sand-23* |
| 20 | BAR540 | Standard Series: Dark Brown-0, Coffee Beige-3, Black-9, Slate Blue-11 Gray-14, Granite Gray-20, Granite Sand-23. Designer Series: Black-9, Granite Gray-20, Granite Sand-23 |
| 21 | BAR650, BAR730 | Standard Series: Dark Brown-0, Coffee Beige-3 Granite Gray-20, Granite Sand-23 Designer Series: Black-9, Granite Sand-23 |
| 22 | Ice Caddy | Dark Brown-0, Coffee Beige-3, Cold Blue-5*, Navy Blue-8, Black-9, Slate Blue-11, Gray-14, Granite Gray-20, Granite Green-21, Granite Sand-23* |
| 23 | Camchiller Cart | Dark Brown-0*, Coffee Beige-3*, Hot Red-4*, Cold Blue-5*, Navy Blue-8, Black-9, Slate Blue-11, Brick Red-12*, Gray-14*, Granite Gray-20, Granite Green-21*, Granite Red-22*, Granite Sand-23* |
| 24 | Meal Delivery Cart | Dark Brown-0*, Coffee Beige-3*, Slate Blue-11, Brick Red-12*, Gray-14, Granite Gray-20, Granite Green-21, Granite Red-22*, Granite Sand-23 |
| 25 | Meal Delivery Cart | Dark Brown-0*, Coffee Beige-3*, Slate Blue-11, Gray-14, Granite Gray-20, Granite Green-21, Granite Red-22*, Granite Sand-23 |
| 26 | Covered Pitcher, Ingredient Bins/ Camcrisper | Clear-135 |
| 27 | Thermal Server | Dark Brown-0, Beige-2, Orange-7*, Black-9 |
| 28 | Camshelving US | Speckled Gray-480 |
| 29 | Camshelving Metric | Speckled White-490 |
| 30 | Heatkeepers | Slate Blue-11, Navy Blue-8, Dark Brown-0 |
| 31 | UPCS400 | Dark Brown-0, Slate Blue-11, Speckled Gray-480 |

*Replacement parts in this color will be available until 12/31/2011.

To purchase parts online please visit www.deiequipment.com and enter the part number on the search box of our website.